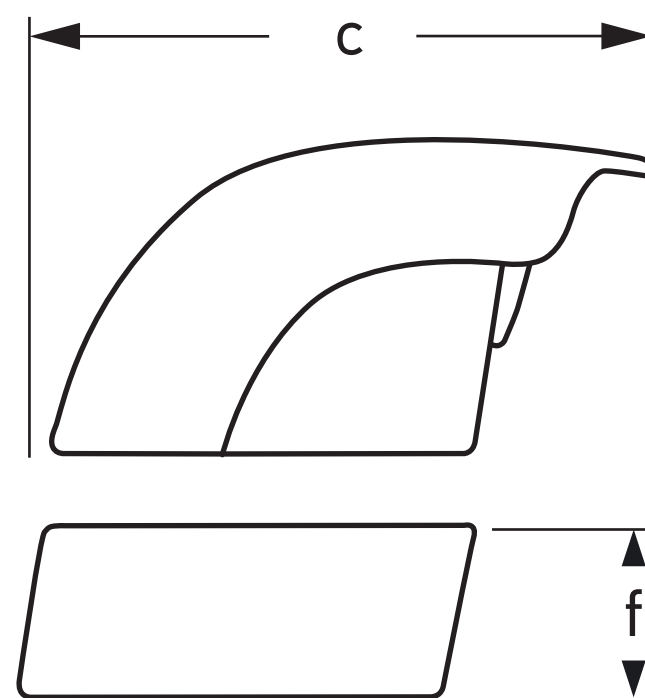


Optional Spacer



Dimensions

- a = 85mm / 3.35"
- b = 36mm / 1.42"
- c = 80mm / 3.15"
- d = 40mm / 1.58" Base mounting hole centres
- e = Ø5.8mm to suit M5 or 1/4"
- f = 20mm / 0.79"