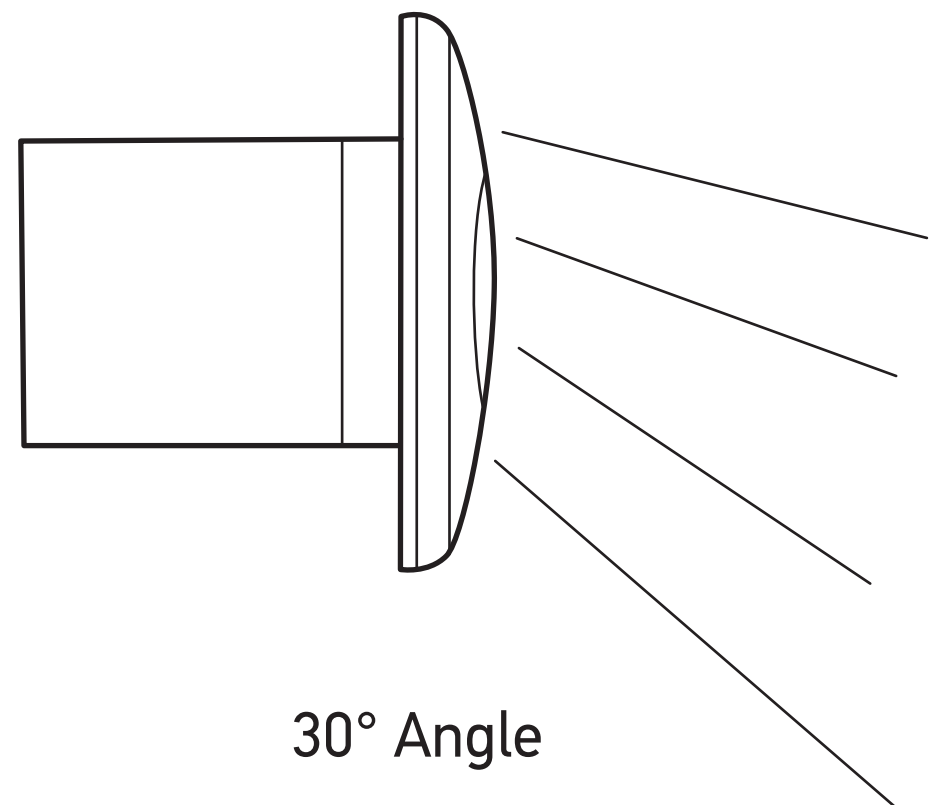


Dimensions

- a = 84mm / 3.31"
- b = 29mm / 1.15"
- c = 59mm / 2.33"
- d = 44mm / 1.74"
- e = 20mm / 0.79"



30° Angle