

Diagram 1

Controlling both groups with one switch.

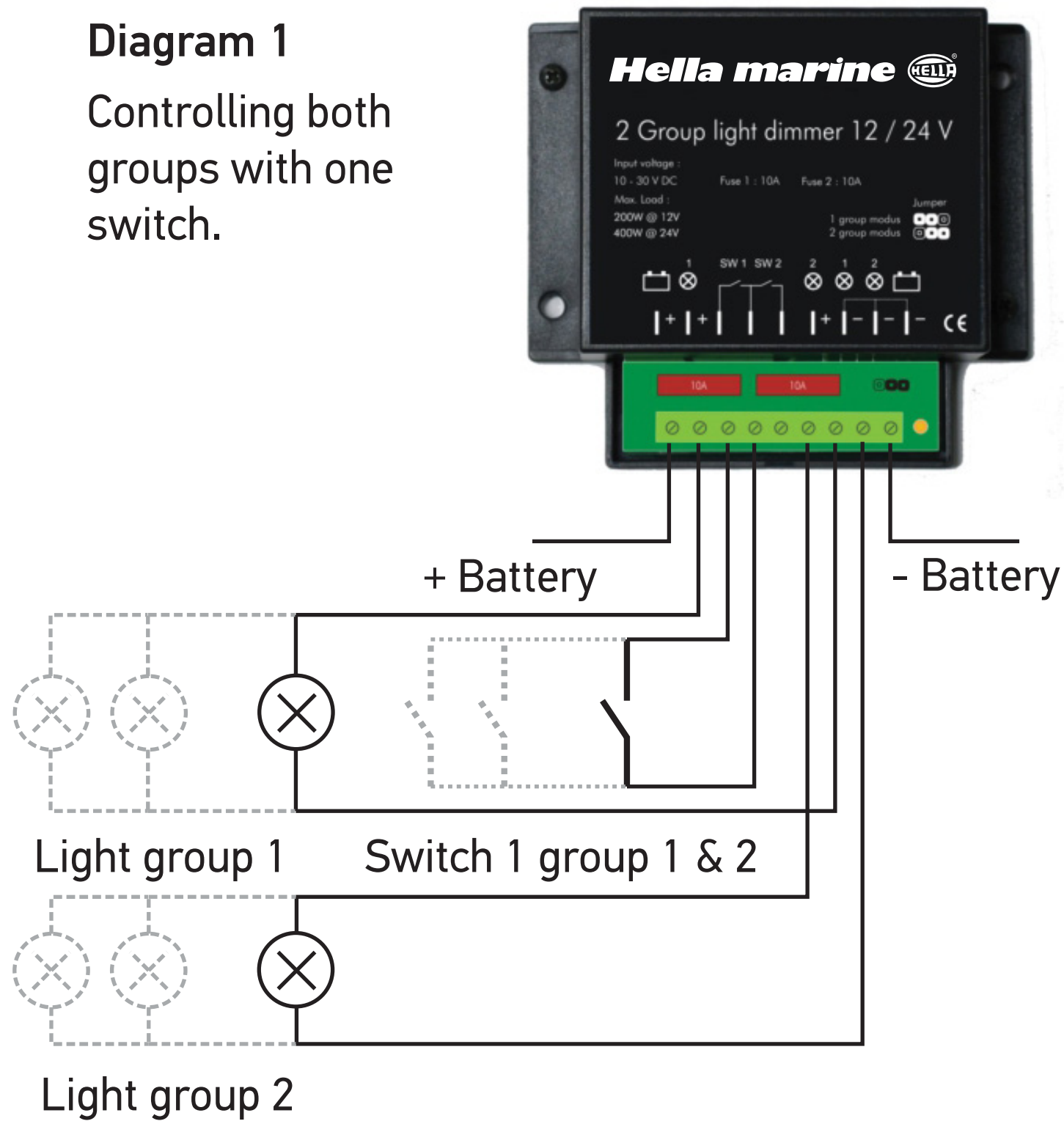


Diagram 2:

Controlling each group with its own (set of) switch(es)

