

**INSTRUCTION SHEET**  
for: **9SL 998 540-002 / 4640**



**MOUNTING INSTRUCTIONS**  
FOR **HELLA** AUTOMOTIVE BATTERY SWITCH

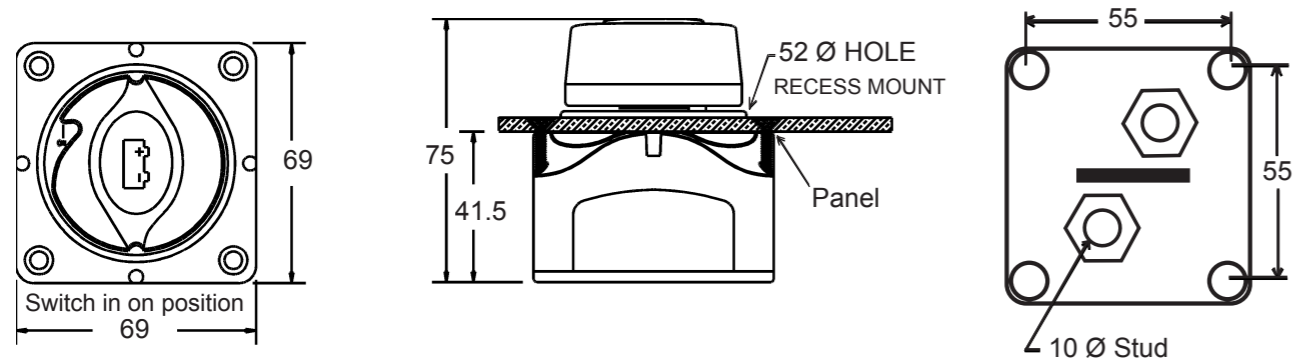
**Purpose:** To isolate the battery from the electrical system.  
Not to be used as an on/off switch.

**Voltage:** 0-48V DC

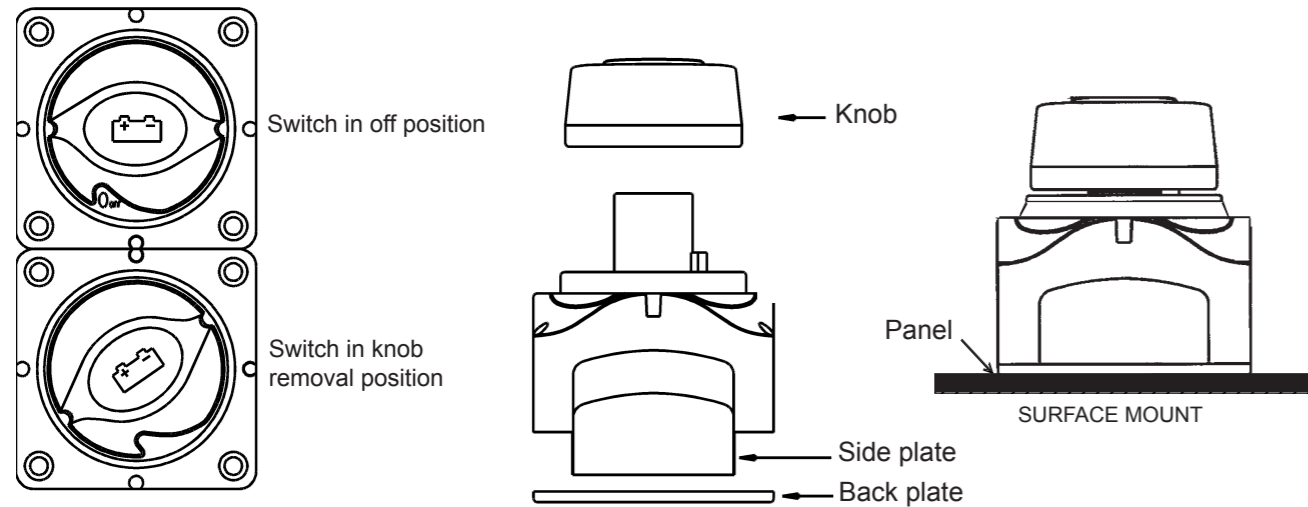
**Current rating:**  
Continuous 275 amps (1Hour. max.)  
Maximum Cranking = 1250 amps (10 sec. max.) Intermittent = 455 amps (5min. max.)

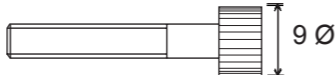
**Terminal size:** 10 mm Ø

**Spare parts available:** Spare knob - Part Number 4641



ALL DIMENSIONS IN MILLIMETRES



<b>Recess Mount</b> Minimum length 50mm plus panel thickness	<b>Surface Mount</b> Minimum length 30mm plus panel thickness	<b>Mounting bolts 5mm Ø (Not included)</b> 
--	---	--

**Mounting Instructions**

Mount switch as shown above. Use quality terminals to avoid heat build up and voltage drop.  
Mount battery leads to switch either from the rear or side of the switch, using supplied washers and nuts.  
To avoid short circuits, ensure all exposed electrical fittings are insulated.

**Knob Removal**

To remove the knob, push in and rotate 45° anti-clockwise from the OFF position.  
The knob may now be removed. To insert knob reverse the above instructions.

**Hella-New Zealand Limited**  
81-83 Ben Lomond Crescent  
P.O. Box 51-427, Pakuranga  
Auckland, New Zealand

For comments contact us on  
Email: [techfeedback@hella.co.nz](mailto:techfeedback@hella.co.nz)

**INSTRUCTION SHEET**  
for: **9SL 998 540-002 / 4640**



**MOUNTING INSTRUCTIONS**  
FOR **HELLA** AUTOMOTIVE BATTERY SWITCH

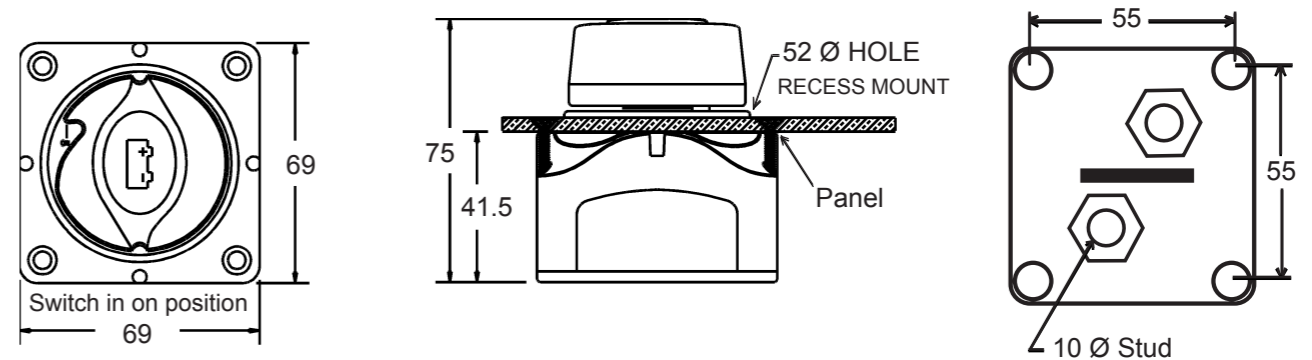
**Purpose:** To isolate the battery from the electrical system.  
Not to be used as an on/off switch.

**Voltage:** 0-48V DC

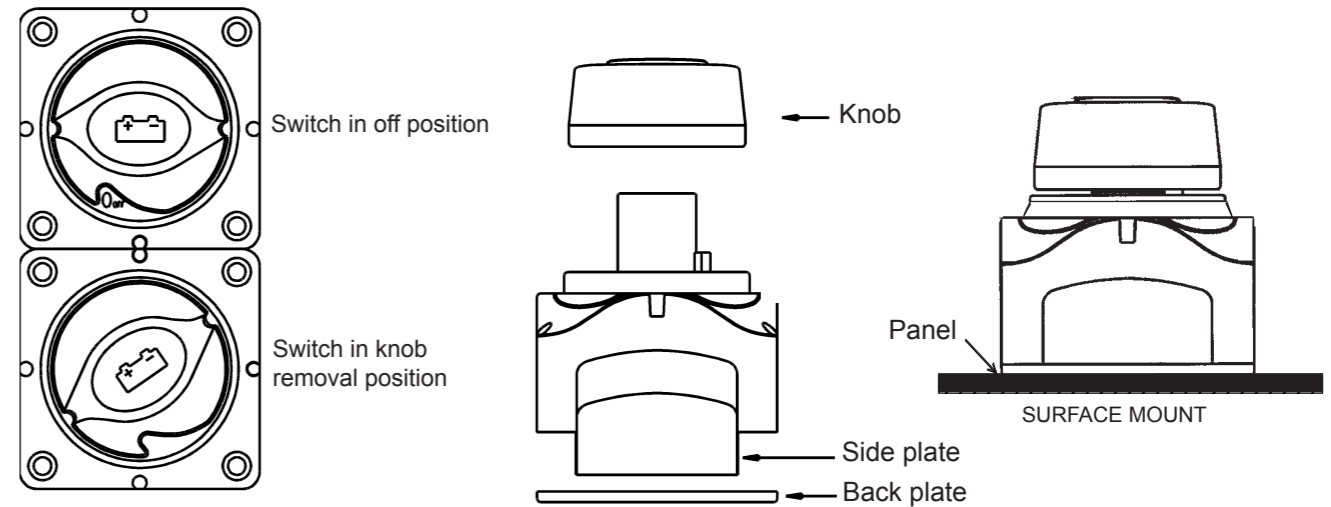
**Current rating:**  
Continuous 275 amps (1Hour. max.)  
Maximum Cranking = 1250 amps (10 sec. max.) Intermittent = 455 amps (5min. max.)

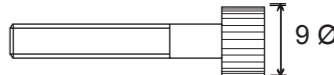
**Terminal size:** 10 mm Ø

**Spare parts available:** Spare knob - Part Number 4641



ALL DIMENSIONS IN MILLIMETRES



<b>Recess Mount</b> Minimum length 50mm plus panel thickness	<b>Surface Mount</b> Minimum length 30mm plus panel thickness	<b>Mounting bolts 5mm Ø (Not included)</b> 
--	---	---

**Mounting Instructions**

Mount switch as shown above. Use quality terminals to avoid heat build up and voltage drop.  
Mount battery leads to switch either from the rear or side of the switch, using supplied washers and nuts.  
To avoid short circuits, ensure all exposed electrical fittings are insulated.

**Knob Removal**

To remove the knob, push in and rotate 45° anti-clockwise from the OFF position.  
The knob may now be removed. To insert knob reverse the above instructions.

**Hella-New Zealand Limited**  
81-83 Ben Lomond Crescent  
P.O. Box 51-427, Pakuranga  
Auckland, New Zealand

For comments contact us on  
Email: [techfeedback@hella.co.nz](mailto:techfeedback@hella.co.nz)